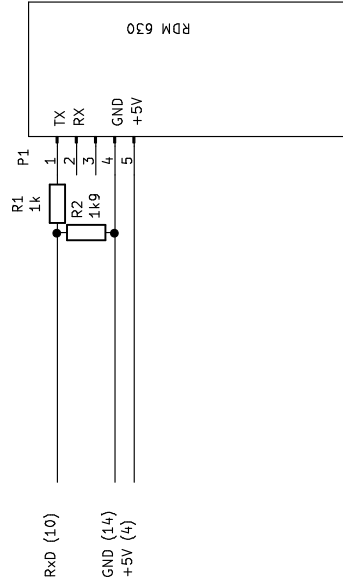
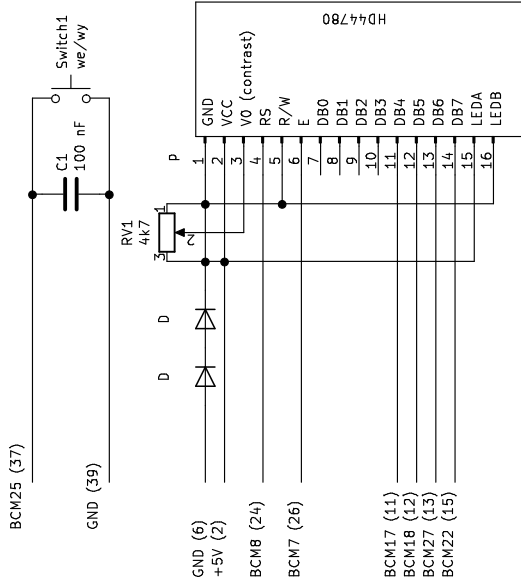


Raspberry Pi GPIO Peripherals



Bogustaw Kempny

Sheet: /
File: minircp.sch

Title: Time and attendance system

Size: A4 Date: 2020-09-04
KICad: E.D.A. kicad 5.0.2+dfsg1-1

Rev:
Id: 1/1